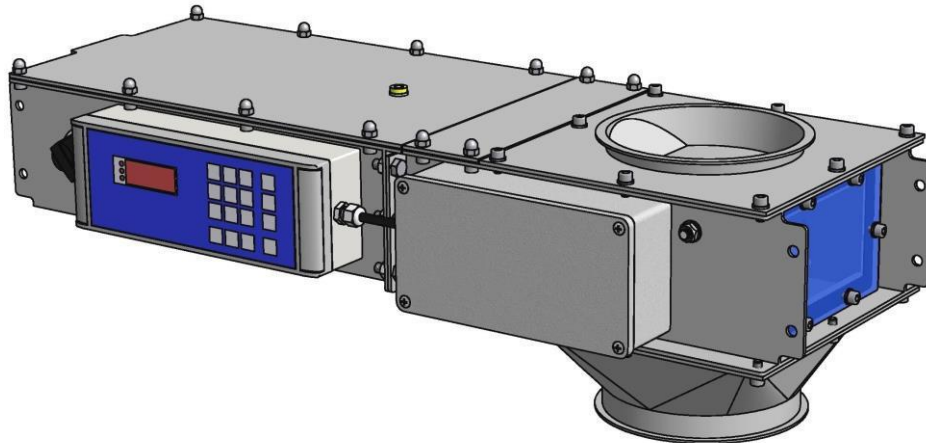


FLOW CONTROLLER FC3

Continuous, gravimetric dosage of free flowing bulk solids



Overview

- Electrically controlled flat slider with weighing sensor
- Exact regulation of flow capacity in kg/h
- Summation of total amount in kg
- Very low installation height, easy installation directly below the silo
- Control of slider position and position presetting

Applications

The *Flow Controller FC3* is suited for the following applications:

- Production of grain blends by dosage from different silos, automatic recipe control
- Controlled discharge of silos for constant feeding of processing machinery
- Easy exchange of old discharging devices with low installation costs

For operation of the *Flow Controller FC3* full product stock at the inlet of the device is required.

Function

An electrically controlled flat slider is located in a steel housing. Under the flat slider there is a weighing sensor which measures the product flow rate. The user enters a desired flow capacity and starts dosage. The flat gate opens gradually and the product flows with increasing flow capacity over the weighing sensor. When reaching the desired flow capacity, movement stops.

Applied products

All free flowing products can be measured, e.g. grain, pulses, granules, malt, pellets, soya and diverse bruised grains.



Brindavan Udyog (India)

12-15, First Floor, Sabzi Market
Chowk Hauz Qazi, Delhi - 110006, India
+91-8287805440 | +91-9555849888

Construction

The *Flow Controller FC3* consists of basic housing, ball bearing mounted flat gate, cylinder with stepper motor, weighing sensor, load cell and electric connections. The housing is dust-tight. It is mounted at the outlet of a silo or bin.

Sizes

The following sizes are available:

Type	Pipe diameter	Flow capacity approx.	Height with round outlet	Height with angled outlet	Price(INR)
FC3.120	120 mm	1 - 20 m ³ /h	220 mm	135 mm	5 Lacs
FC3.150	150 mm	2 - 40 m ³ /h	220 mm	135 mm	5 Lacs

Note:

- GST & Packing Forwarding Extra
- Payment 50% Advance & Rest Payment at the time of Delivery

The housing is made of standard steel, powder-coated in color RAL7032, the inlet pipe is round.

Integration

The device is installed with flared pipe ends. On request other pipe connections can be realized. The device is installed at the outlet of a silo. Compressed air of at least 3 bar is required.

Accuracy

The *Flow Controller* has a measuring tolerance of 0,2 – 2 %*, depending on inlet condition, product homogeneity and flow capacity.

Evaluation (alternatively)

Compact electronic, mounted directly at the dosing unit (24 V DC), with LED-display and keypad, easy integration with the following interfaces:

- RS485-interface, Profibus-interface (optionally)
- Digital input (24V), 2 x relay output (24V, kg-pulses/alarms)
- Analogue input (0-10V), analogue output (0(4)-20mA)

Supplier information

Company Brindavan Udyog (India)
info@bu-india.com
+91-8287805440, +91-9555849888
www.brindavanudyog.com

Due to our policy of continuous development, given specifications and data are subject to change. (*in relation to full-scale reading)